

K P



Building & Construction



www.kamkiu.com

总公司 HQ:

Kam Kiu Aluminium Products Group Ltd.

: 1 1817
Add: Rm17, 18/F, Concordia Plaza, 1 Science Museum Road,
Tsimshatsui East, Kowloon, Hong Kong
(Tel):
(Fax):
Email: info@kamkiu.com

生产基地 Production Facility:

Taishan City Kam Kiu Aluminium Extrusion Co., Ltd.

:
Add: Dajiang Town, Taishan City, Guangdong, China
Post: 529261
Tel:
Fax:



Company Profile

Kam Kiu Aluminium Group (KAP), established in 1983, is an aluminium extrusion company on series 1-7 alloy, which employs over 2,300 people, possesses 30 direct extrusion presses, 4 indirect extrusion presses from 550UST to 6,180UST and 2 AirSlip casting systems. We have the compressive operation system including die design and manufacturing, billet casting, extrusion, surface treatment and precision machining. Our aluminium product covers high end electronics products, automotive, transportation, vessel, industrial applications, building and construction etc.

Kam Kiu Aluminium Group is certified with ISO9001, IATF16949, automotive standard; DNV, Norway marine standard; BV, France ship standard; CCS, China ship standard; ISO14001, environmental standard; OHSAS18001 occupational health and safety standard etc.

從 1983 年開始，Kam Kiu Aluminium Group (KAP) 是一家鋁合金擠壓公司，主要生產 1-7 系列合金，僱員超過 2,300 人，擁有 30 條直接擠壓機，4 條間接擠壓機，擠壓能力從 550 噸到 6,180 噸，並配備 2 套 AirSlip 鑄造系統。我們擁有完整的生產系統，包括鑄造、擠壓、表面處理及精密加工。我們的鋁產品涵蓋高檔電子產品、汽車、交通運輸、船舶、工業應用、建築及 construction 等。

Kam Kiu Aluminium Group 獲得 ISO9001、IATF16949 汽車標準、DNV 挪威船級社標準、BV 法國船級社標準、CCS 中國船級社標準、ISO14001 環境標準、OHSAS18001 職業健康與安全標準等認證。

我們提供鋁合金擠壓、鑄造、表面處理及精密加工服務。產品應用於高檔電子產品、汽車、交通運輸、船舶、工業應用、建築及 construction 等。

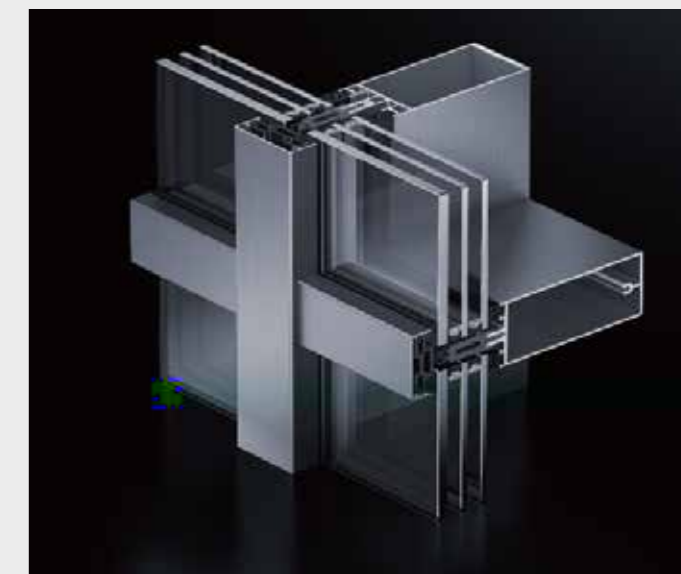
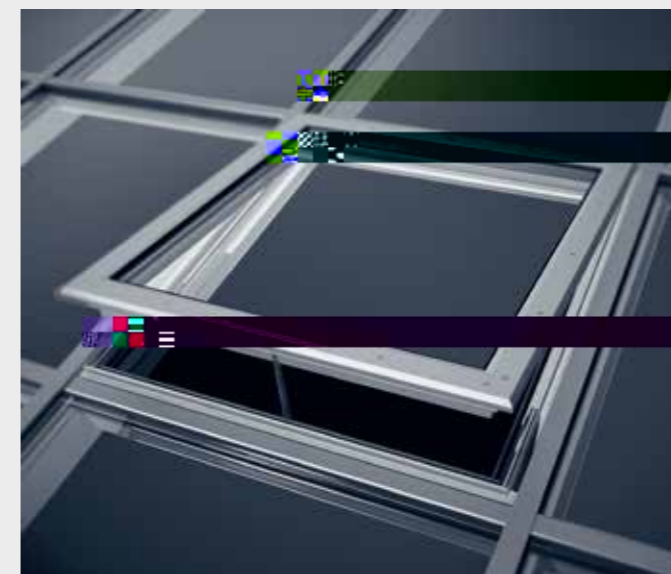
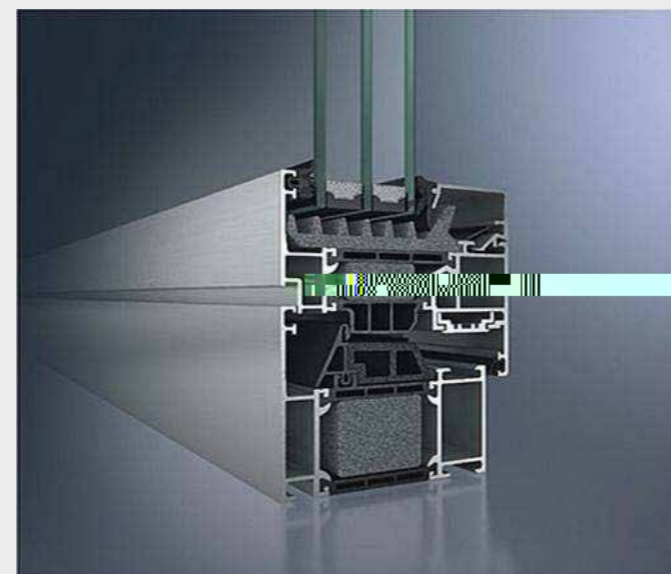


Process

Certification

Product introduction

Taishan Kam Kiu Aluminium Factory Co., Ltd serves worldwide demands of high quality aluminium products and precising machining services on doors and windows.





cooperative partner

